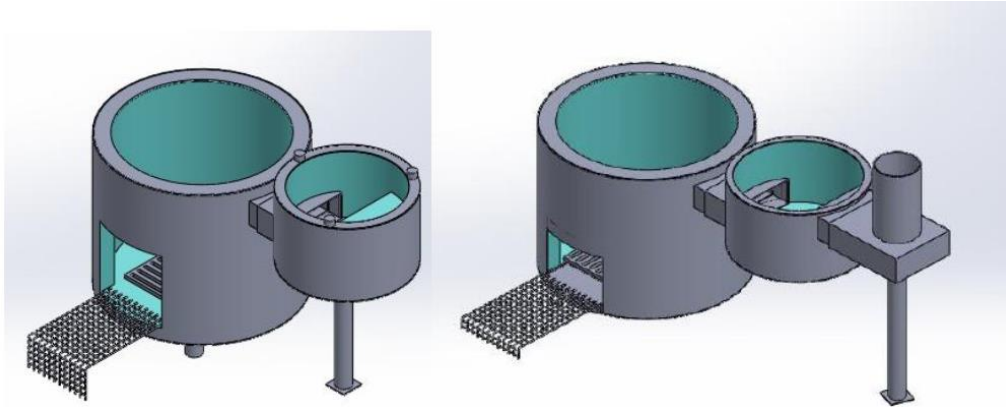


PYRO

PYRO MINI



- PYRO Mini, is a versatile, portable 2 pan domestic wood burning stove for cooking a variety of food items like roti, rice, curry etc.
- The stove is designed for 'on site assembly' for easy transportation. It has a mild steel body and is insulated (to prevent heat losses) using castable refractory.
- Simultaneous cooking in two pans saves cooking time, increases efficiency and reduces fuel consumption. The 2 pan design also offers flexibility in cooking by interchanging vessels depending on the amount of heat required

PYRO

Features & Usage:

- Consists of components which can be assembled onsite
- 2 variants- with chimney (Model A)& without chimney(Model B)
- Burning Rate: 0.7 – 1.0 kg/hour
- Natural draft: Does not use fan or batteries
- Grate: for complete combustion of fuel
- Height: 25 cms, total weight: 14 kgs
- CO Emissions – significantly lower than conventional stoves.
- Reducers for use with vessels smaller than 25 cms dia. available on request



Designed for –for cooking all types of food for the household (family size 5-6 members for cooking all typical Indian

Fuel type – Firewood, all agro residues e.g. corn cobs, coconut waste, chilli and sunflower stalk, briquettes etc. (not recommended for loose fuel saw dust etc.)

Heat utilization efficiency – 31% (reduces fuel consumption by half)

Health benefits – Improves respiratory health, no eye irritation.

Time saving – in collection of fuel

Environmental benefits – Reduced CO and particulates($PM_{2.5}$) and conservation of biomass

Cost of Stove - Rs 2700/-Model A, Rs 2400/- Model B(Does not include cost of reducers, transportation at actuals, taxes as applicable), chimney has to be procured locally for Model A.